

17" Medium Resolution Colour Monitor Tube

M41EGK

Features

- Resolution up to 800 x 600
- AGAS screen finish
- Slotted invar mask with 0.39 mm pitch
- Precision double mussel deflection coil with line frequencies up to 57 KHz
- Suitable for MPR II application
- Attractive price-performance ratio

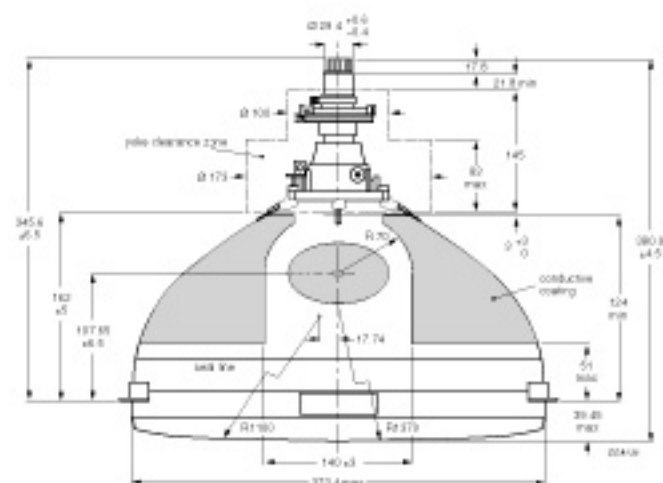
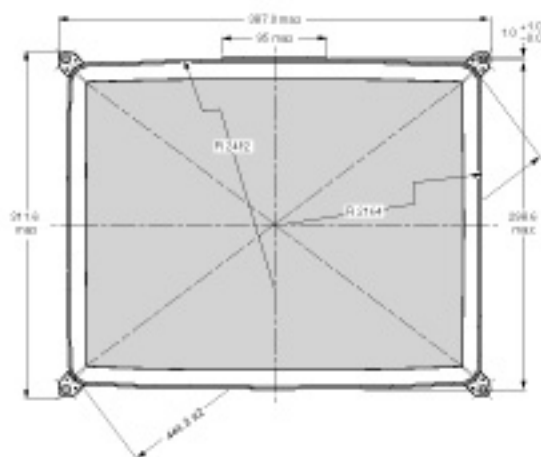


Let's make things better.

Picture Tube

Size	17"
Application	VGA/SVGA
Electron gun system	High resolution polygon gun
Focusing method	Electrostatic
Deflection angle diagonal	90°
Hemisphere condition	Worldwide application
Useful screen diagonal	41 cm
Overall length	<39 cm
Implosion protection	Rimband (UL/CSA approved)
Neck diameter	29,4 cm
Mask	Invar
Phosphor pitch	0.39 mm

Glass transmission	42%
Brightness decrease centre-to-corner	<30%
Yoke version	57 kHz $L_{yt}=0.18$ mH
Screen	High Gloss/AGAS
Convergence	0.5 mm
Phosphor persistence	Medium-short
Anode voltage (EHT)	24 kV (full load)
Focus voltage	27.5% of anode voltage
Heater voltage	6.3 V
Heater current	315 mA
EMC	MPR-II capability



Dimensions in mm

All rights reserved. Reproduction in whole or in part is prohibited without the prior written consent of the copyright owner. The information presented in this document does not form part of any quotation or contract, is believed to be accurate and reliable and may be changed without notice. No liability will be accepted by the publisher for any consequence of its use. Publication thereof does not convey nor imply any license under patent- or other industrial or intellectual property rights.

For information apply to: Philips Display Components, Marketing Communications,
P.O. Box 218, 5400 HD Eindhoven, The Netherlands,
Telex 31800 philnd, Fax +31 40 272 4147
© Philips Electronics N.V. 1997
Printed in The Netherlands • Date of release: September 1997 • 9398 237 69011